

MK 342 E

1/4" measurement microphone capsule

with constant pressure response

- WS3P acc. IEC 61094-4
- pressure
- 3.5 Hz to 70 kHz
- 60 dBA to 186 dB
- pre-polarized



The 1/4" microphone capsule MK 342 E has a constant pressure response and is therefore optimized for correct acoustic measurements on boundary layers or in acoustic couplers with extreme sound pressure levels.

The equalization of the static air pressure is by means of a capillary to the preamplifier (rear-vented) or by means of a lateral capillary (side-vented). The diaphragm is protected against mechanical damage by a protection grid.

Delivery

| | | |
|--|------------------|--------|
| Microphone capsule, nickel, rear-vented in wooden case 127 mm x 87 mm x 55 mm | MK 342 E rear | 311154 |
| Microphone capsule, nickel, side-vented in wooden case 127 mm x 87 mm x 55 mm | MK 342 E side | 311158 |

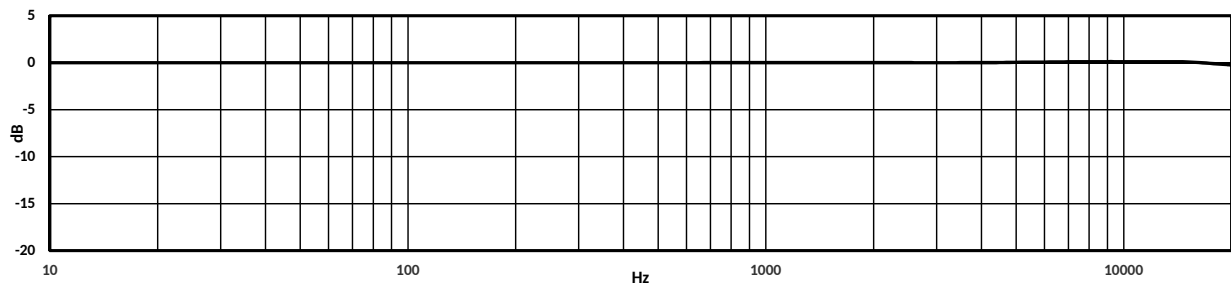
Options and Accessories

| | | |
|--|--------------------|--------|
| Adapter for 1/4" microphone capsules to 1/2" preamplifiers | A 67 | 302305 |
| Angle adapter 1/4" | WA 30 | 302312 |
| Windscreen | W 3 | 302330 |
| Accredited calibration | MM-PK-LD Pistonfon | 450003 |

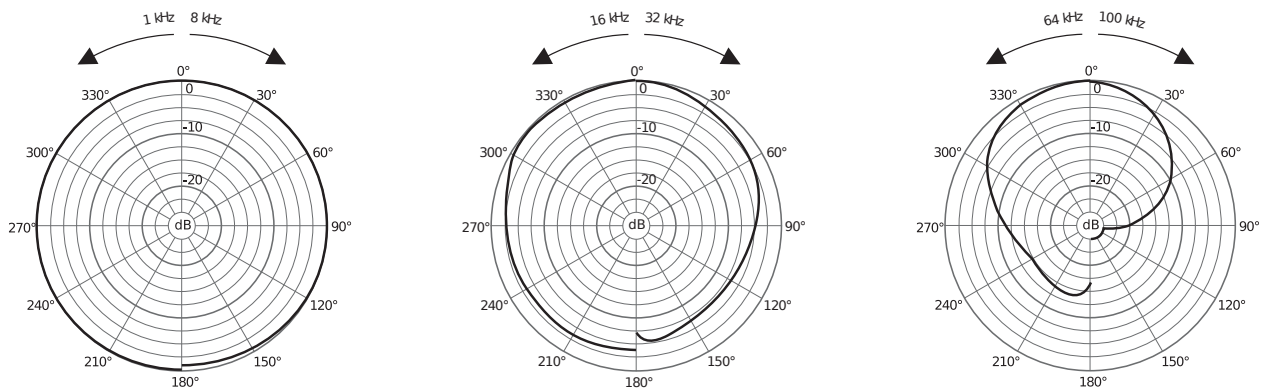
Technical Specifications



| | | |
|--------------------------------------|-------------------------|--------------------------------|
| Transducer type | | Capacitive pressure transducer |
| Frequency range | ±3 dB | 3.5 Hz to 70 kHz |
| pressure response | ±2 dB | 5 Hz to 50 kHz |
| | ±1 dB | 20 Hz to 20 kHz |
| Sensitivity | | 0.25 mV/Pa |
| Sensitivity | re 1 V/Pa | -72 dB ±2.5 dB |
| Max. SPL for | Peak, with MV 310 | 186 dB |
| 3% THD at 1 kHz | RMS, with MV 310 | 183 dB |
| Inherent noise | with MV 310 | 60 dBA |
| Polarization voltage | | pre-polarized |
| Capacitance at 1 kHz | | 4.2 pF |
| Temperature range, operation | | -50 °C to +100 °C |
| Temperature range, storage | | -50 °C to +80 °C |
| Main ambient temperature coefficient | | ≤0.01 dB/K |
| Main ambient pressure coefficient | | -0.00001 dB/Pa |
| Diameter | without protection grid | 6.35 mm ± 0.02 mm |
| | with protection grid | 7.00 mm ± 0.02 mm |
| Length | | 9.7 mm |
| Weight | | 2 g |
| Preamplifier thread | | 5.7 mm 60 UNS |
| Protection grid thread | | 6.35 mm 60 UNS |



typical pressure frequency response



Microtech Gefell GmbH · Georg-Neumann-Platz · 07926 Gefell · Germany

Phone +49 (0)36649 882-0 · Fax +49 (0)36649 882-11 · www.microtechgefell.de · info@microtechgefell.de