



UM 92.1 S

studio microphone

with legendary PVC capsule M 7

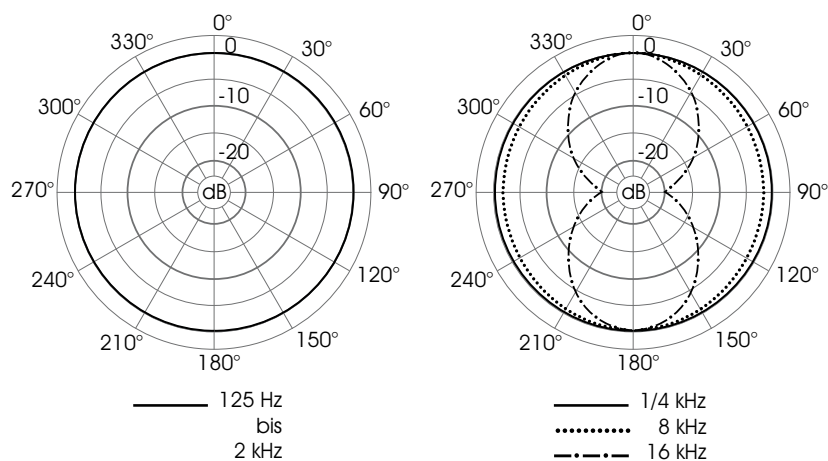
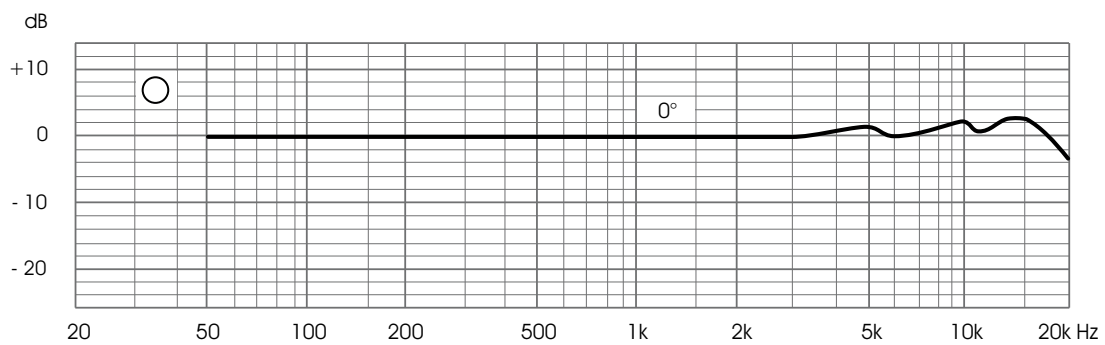
- condenser microphone
- omni-directional, cardioid, figure of 8
- large diaphragm capsule
- PVC diaphragm
- tube pre-amplifier
- with power supply

Delivery, Options and Accessories	Typ	Order-No.
Studio microphone, satin nickel with power supply UN 920.1, connection cable C 92.1, elastic suspension EA 92, windscreen W 92 in suitcase	UM 92.1 S	211138
Windscreen, anthracite	W 92	202402
Popscreen, black	P 110	600097
Foam disk, spare part for P 110, black		600168
Microphone holder, satin nickel	MH 80	202320
Elastic suspension, satin nickel	EA 92	212311
Connection cable, 10 m, black	C 92.1	202204

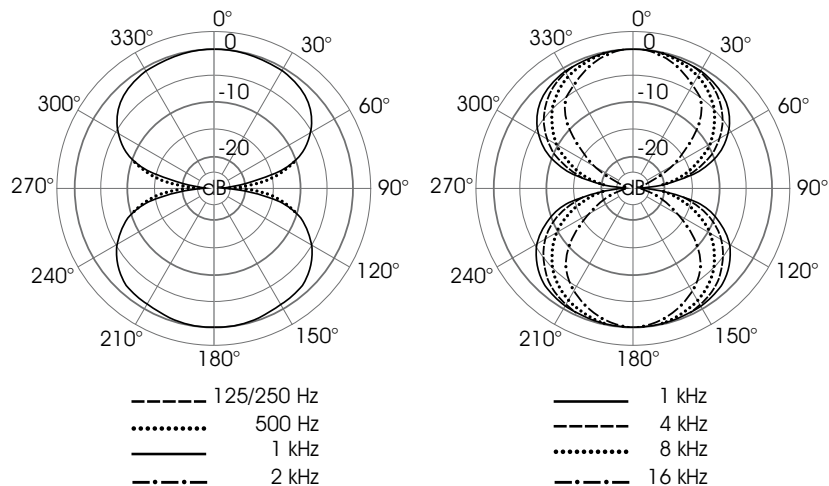
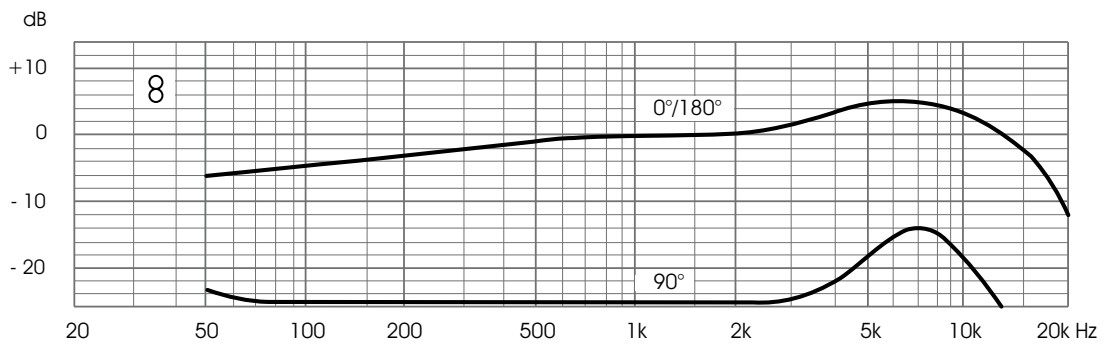
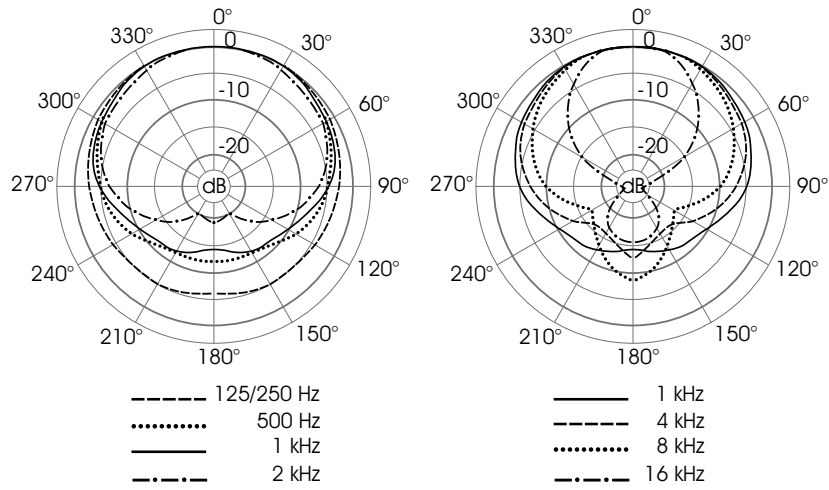
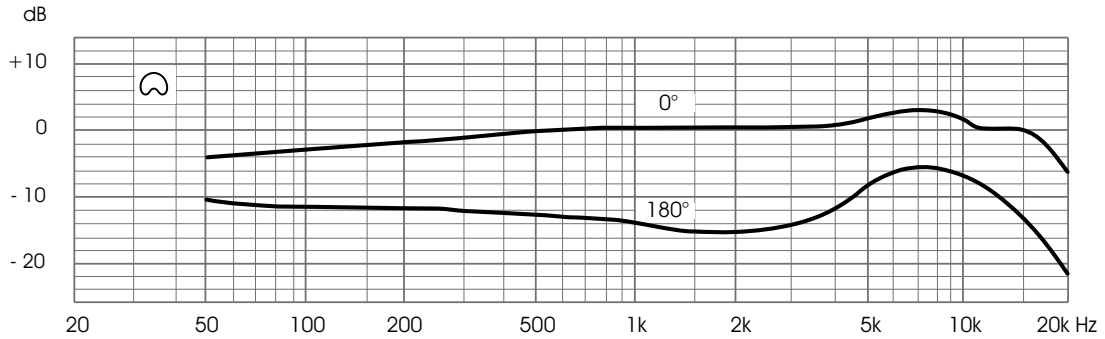
UM 92.1 S



Polar pattern	omni, cardioid, figure of 8	
Acoustic operating principle	pressure gradient transducer	
Frequency range	20 to 20.000 Hz	
Sensitivity at 1 kHz	15 mV/Pa	
Output impedance	200 Ω	
Inherent noise	IEC 268-4	17 dB(A)
	CCIR 468-4	25 dB
Signal-to-noise ratio (re 1 Pa at 1 kHz)	A-weighted	77 dB
	CCIR-weighted	69 dB
Max SPL	at 0.5% THD	120 dB
Dynamic range	103 dB	
DC power supply	120 V-	
Anode current	1 mA-	
Heater voltage	5,8 mV-	
Heater current	200 mA-	
Tube	low-noise	EF 86
Output connector	7-pin, Tichel C 70/A	
Weight	430 g	
Dimensions (L x Ø)	197 mm x 42 mm	



UM 92.1 S



UM 92.1 S



DEV 21138.01 (15.04.2026) © Microtech Gefell GmbH

Microtech Gefell GmbH · Georg-Neumann-Platz · 07926 Gefell · Germany
Phone +49 (0)36649 882-0 · Fax +49 (0)36649 882-11 · www.microtechgefell.de · info@microtechgefell.de

