

MK 222

1/2"

Microphone Capsule

for low-frequency application

- WS2F acc. IEC 61094-4
- free-field
- 0,5 Hz to 20 kHz
- 15 dBA to 149 dB
- 200 V polarization



The 1/2" microphone capsule MK222 has an extended low-frequency range and is therefore optimized for correct acoustic measurements of signals with very low frequencies.

The equalization of the static air pressure is by means of a capillary to the preamplifier (rear-vented). The microphone capsule is suitable for sound level meters of Type 1 acc. IEC 61672.

Delivery

Microphone capsule, nickel in wooden case 90 mm x 90 mm x 40 mm	MK 222	311110
--	--------	--------

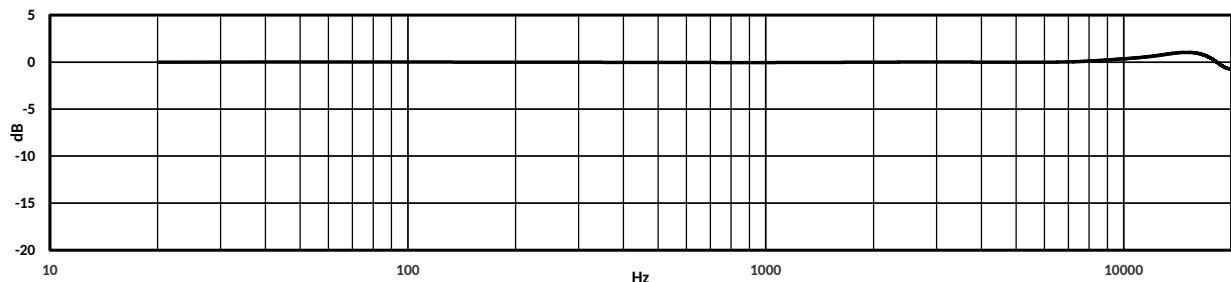
Options and Accessories

Electrostatic actuator instead of standard protection grid	EA 2	302365
Adapter for 1/2" microphone capsules to 1/4" preamplifiers	A 69	302304
Angle adapter 1/2"	WA 20	302334
Dehumidifier adapter 1/2"	TA 202	302314
Windscreen	W 2	302329
Accredited calibration	MM-PK-LD Pistonfon	450003

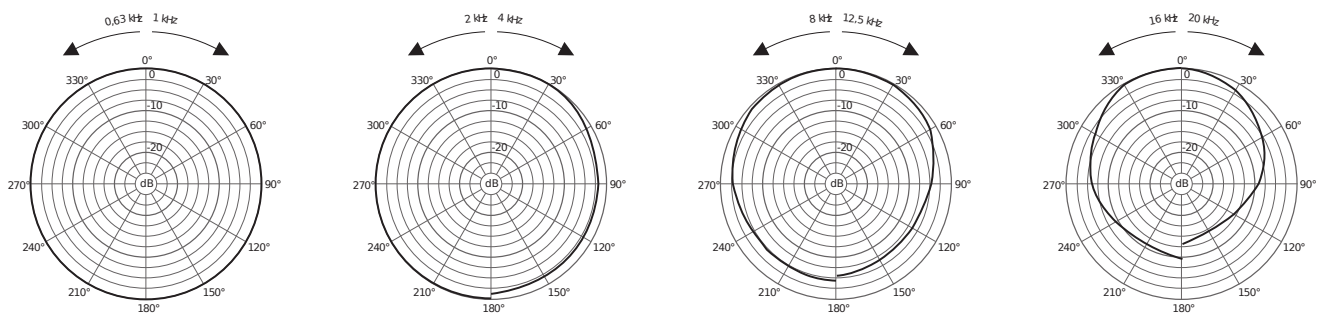
Technical Specifications



Transducer type		Capacitive pressure transducer
Frequency range	±2.0 dB	0.5 Hz to 20 kHz
zero degree incidence		
Open-circuit sensitivity		50 mV/Pa
Open-circuit sensitivity	re 1 V/Pa	-26 dB ±1.5 dB
Max. SPL for	Peak, with MV 203 @ 120 V	149 dB
3% THD at 1 kHz	RMS, with MV 203 @ 120 V	146 dB
Inherent noise	with MV 203	15 dBA
Polarization voltage		200 V
Capacitance at 1 kHz		19 pF
Temperature range, operation		-50 °C to +100 °C
Temperature coefficient		≤0.01 dB/K
Static pressure coefficient		-0.00001 dB/Pa
Diameter	without protection grid	12.7 mm ± 0.05 mm
	with protection grid	13.2 mm ± 0.05 mm
Length		16.4 mm
Weight		9 g
Preamplifier thread		11.7 mm 60 UNS
Protection grid thread		12.7 mm 60 UNS



Typical frequency response



Microtech Gefell GmbH · Georg-Neumann-Platz · 07926 Gefell · Germany

Phone +49 (0)36649 882-0 · Fax +49 (0)36649 882-11 · www.microtechgefell.de · info@microtechgefell.de